

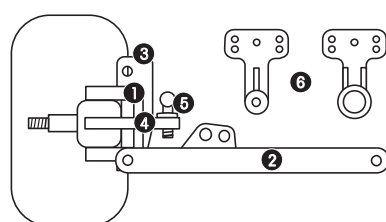
SETUP SHEET for Team Associated's RC10GT

White numbers in squares are cross-referenced to the #7193 Complete Tuning Guide: GT.


driver BILLY EASTON
 track / city MIAMI R/C RACEWAY
 event NATIONALS date 11/02

FRONT SUSPENSION

2 **1** CASTER 5° 10° 15° 20° 25° 30°
4 **2** FRONT RIDE HEIGHT ARMS LEVEL other slightly below
1 **3** CAMBER -1°
3 **4** TOE-IN 0°
5 **6** BUMP STEER SPACERS .030
6 **6** STEERING ACKERMAN
 STD OPTIONAL

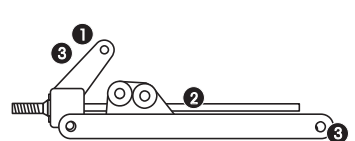


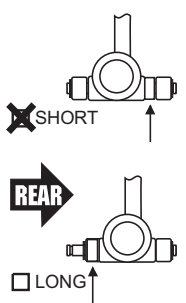
CLUTCH

35 INDICATE HOW CUT: 
36 CLUTCH BELL TEETH/PITCH 15 T / 32 P
38 SPUR: 66 T
35 SHOES 2 4 other 3 shoe Bearings Bushings

REAR SUSPENSION

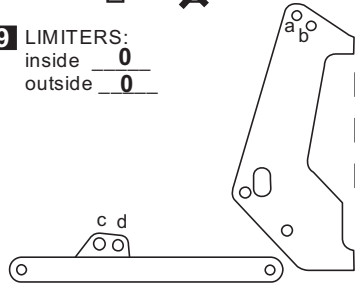
8 **1** CAMBER -1°
11 **2** REAR RIDE HEIGHT: BONES LEVEL other slightly below
12 MIP CVD's DOGBONES UNIVERSALS
10 **3** TOE-IN total, per side:
 0°
 3°
 4.5°
 6°



13 WHEELBASE ADJUSTMENT
 SHORT LONG
 REAR 

FRONT SHOCKS

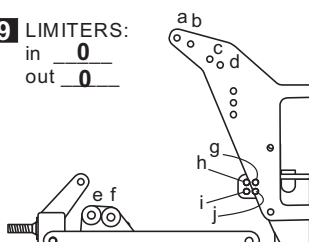
14 BODY STD GRAY other _____
 BODY 1.02 other _____
16 SHAFT 1.02 other _____
 SHAFT STD Unobtainium
19 LIMITERS:
 inside 0
 outside 0



17 PISTON # 2
18 SPRING Blue
15 OIL 35 wt
20 SHOCK MOUNTING tower: a (b) arm: (c) / d

REAR SHOCKS

14 BODY STD GRAY other _____
 BODY 1.32 other _____
16 SHAFT 1.32 other _____
 SHAFT STD Unobtainium
19 LIMITERS:
 in 0
 out 0



17 PISTON # 1
18 SPRING Green
15 OIL 30 wt
21 SHOCK MOUNTING tower: a (b) / c / d arm: (e) / f
9 CAMBER LINK ADJ: tower: g / h / i (j)

OTHER

17 WEIGHTS _____ (oz/gm) **24** TIRE ADDITIVE yes no
41 BODY Pro-Line GMC **42** SPOILER
22 FRONT TIRES Pro-Line Edge M2 **25** FOAM STD
23 REAR TIRES Pro-Line Hotshot M3 **25** FOAM STD
26 FRONT WHEELS 1 PC. 3 PC. other _____
26 REAR WHEELS 1 PC. 3 PC. other _____
40 CHASSIS: STD other: _____
43 RADIO Airtronics **44** SERVO Airtronics
 ENGINE NAME RB
27 .12 .15 **28** PULL START NON PULL START
29 ENGINE TEMP: 210°
34 TUNED PIPE: ASSOC. other: _____
30 FUEL: O'Donnel NITRO: 20% other _____ %
31 CARB TYPE: O.S. rotation slide valve
32 CARB RESTRICTOR: .190 .180 .170 NONE
33 GLOW PLUG TYPE: O'Donnel
37 SLIPPER SETTING: STD LOOSER TIGHTER

45 TRACK CONDITIONS

SURFACE: smooth bumpy BUMPS: _____
 TRACTION: low med. high
 COMPOSITION:
 sandy soft dirt grass clay other _____
 wet dry dusty other _____
 NOTES: _____

46 RACE COMMENTS

MAIN A PLACE 1st TQ
 NOTES _____

47 TRUCK COMMENTS

NOTES _____